

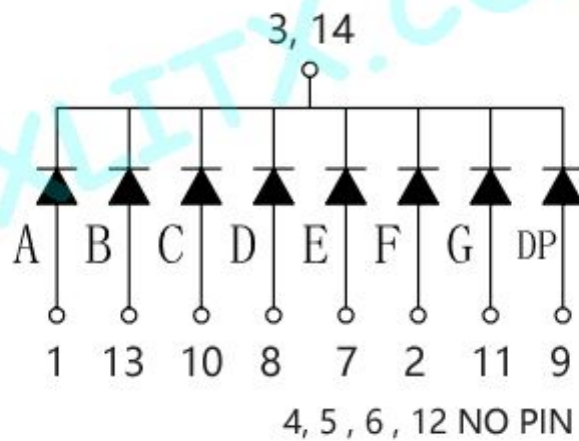
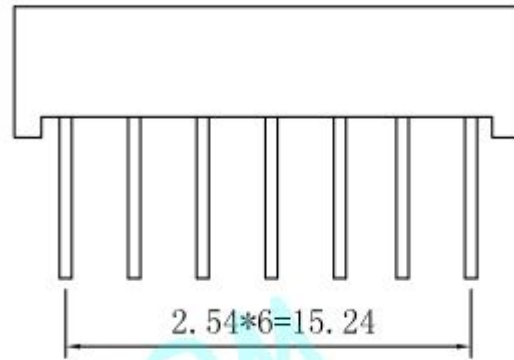
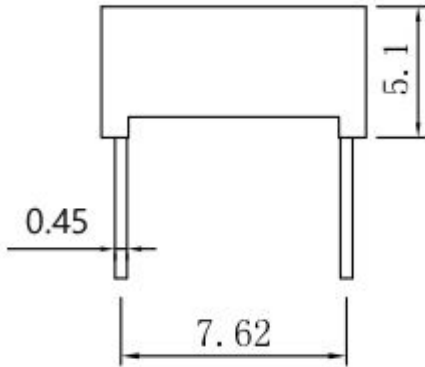
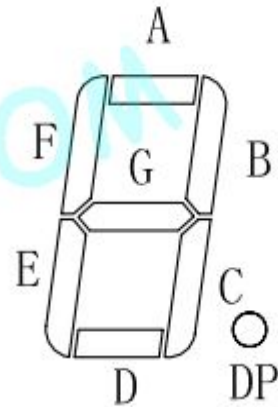
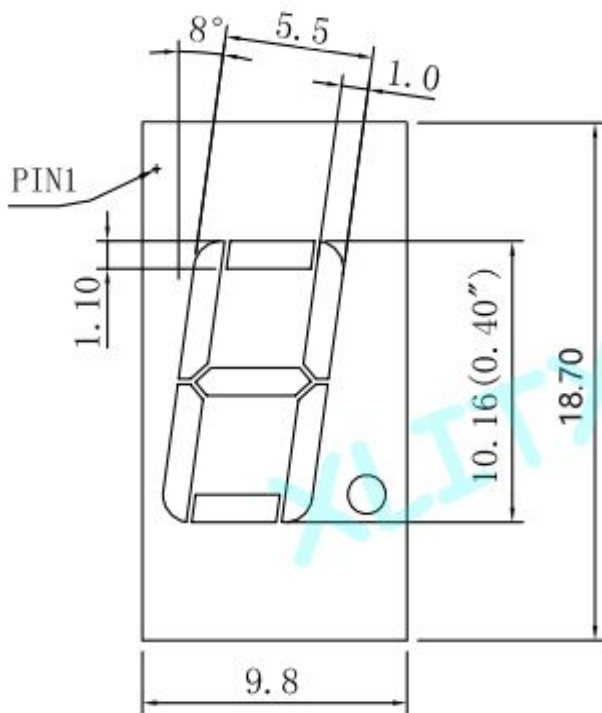


**Model :** 4012AW  
**Size :** 0.40-inch  
**Emitting color :** White  
**Mode :** Common-Cathode (CC)  
**Digit :** 1-Digit  
**Category :** LED 7-Segment Display  
**Maker :** XLITX Technology

**Prices :** \$0.78 = 100 Pieces    \$0.44 = 500 Pieces    \$0.42 = 1000 Pieces    (Free shipping)

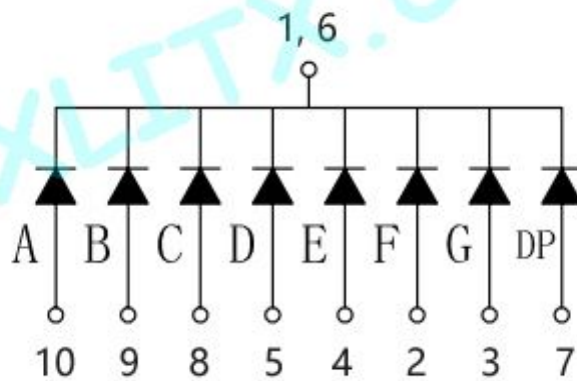
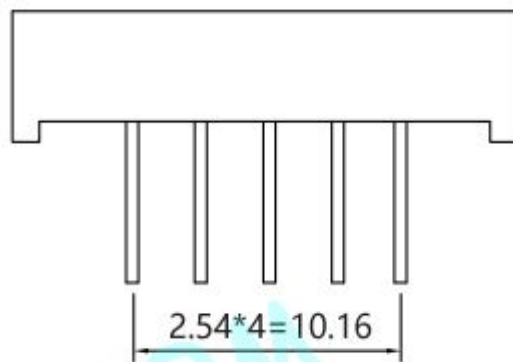
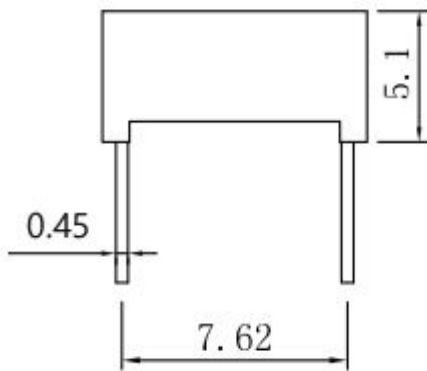
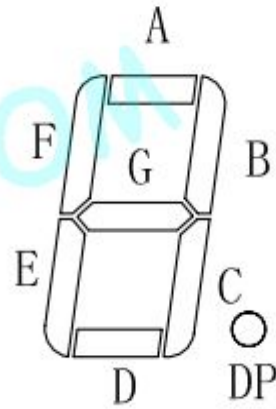
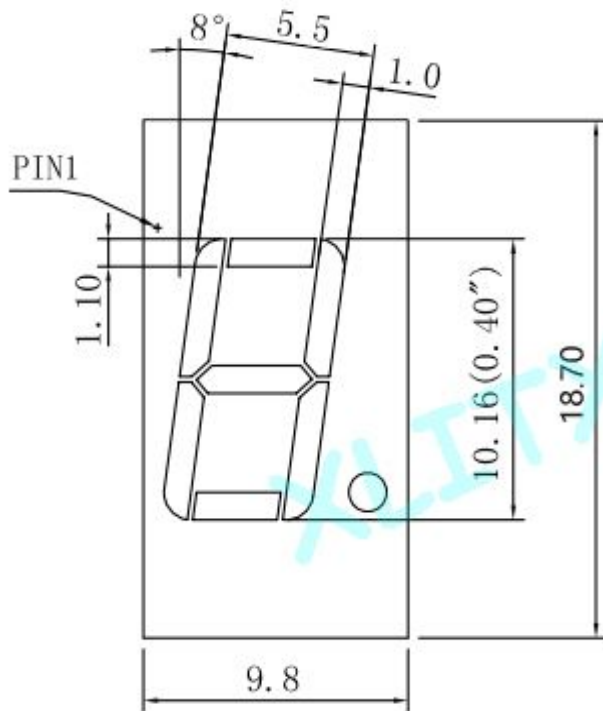
Dimension & Diagram

Type-I



Dimension & Diagram

*Type-II*



## White Electro-Optical Parameter

### 1. Electro-Optical Characteristics(Ta=25°C)

| PARAMETER   | SYMBOL      | DEVICES<br>( White ) |     | UNIT    | TEST CONDIONS |
|---|-------------|----------------------|-----|---------|---------------|
|   |             | TYP                  | MAX |         |               |
| Peak Emission Wavelengrth                                     | $\lambda_p$ | 470                  |     | nm      | IF=10mA       |
| Forward Voltage   | VF          | 3.5                  |     | V       | IF=10mA       |
| Reverse Current   | IR          |                      | 50  | $\mu$ A | VR=5V         |
| Segment To Segment (Dot To Dot)<br>Luminonous Intensity Ratio | IV-M        | 1.5:1                |     |         | IF=20         |

### 2. Absolute Maximun Ratings(Ta=25°C)

| PARAMETER  | SYMBOL | DEVICES<br>( White )                                   | UNIT  |
|--|--------|--|-------|
| Power Dissipation Per Dice                               | pad    | 70   | mw    |
| Derating Linear From 25°C Per Dice                       |        | 0.27   | mA/°C |
| Continuous Forward Current Per Dice                      | laf    | 30   | mA    |
| Peak Forward Ourrent Per Dice<br>(Duty Cycle 1/10,10KHz) | lpf    | 100  | mA    |
| Reverse Voltage Per Dice                                 | Vr     | 5  | V     |
| Operating Temperature                                    | Topr   | -20°C (to) +75°C                                       |       |
| Storage Temperature                                      | Tstg   | -20°C (to) +85°C                                       |       |
| Solder Temperature                                       |        | 1.6 Inch Below Seating Place for<br>5 seconds at 230°C |       |

3. Electro-Optical Curve

